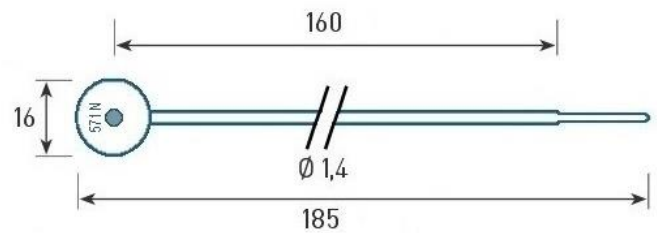
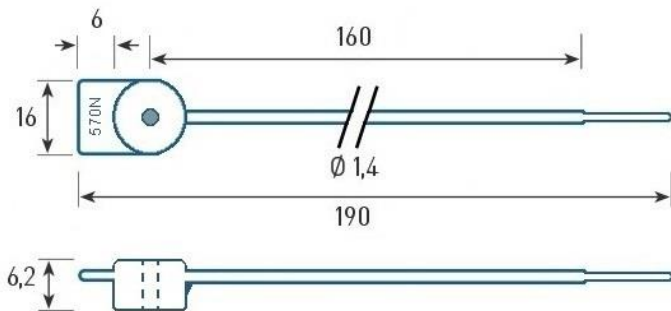


Specification Sheet

UNI570 Security Seal

The UNI570N is a small pull-through seal manufactured in **nylon**, ideal for **meters**, **trolleys** and other small-scale applications - overall length is only 190mm. The nylon material provides a high **pull-strength of 12KgF** when compared to its miniature size, and also functions well in **wide operating temperatures** from -40°C to +80°C.

Available with/without a **rectangular print area** adjacent to the locking chamber. The UNI570 can also be manufactured in an alternative polypropylene material where lower strength is required (for example **emergency exit doors**).



All dimensions in mm.

Applications

Utility meters (gas, electrical and water meters), emergency handles and kits

Size Guide

190mm overall length (useable 160mm)

Technical specs

Nylon operating temperature: -40°C to +80°C
Tensile strength: 12KgF

Packaging

	UV570	Master Carton info
Quantity	1,000pcs	6,000pcs
Carton Dimensions	22x18x23cm	39x23x73cm
Box Weight	1.6kg	10.40kg
Pallet Info	-	100x120x235cm 216,000pcs

Available Colours

Full range of colours available on request.

Material

Nylon as standard
(Optional polypropylene option available)
Integrated stainless steel insert

Customisation Options

Organisation logo, bespoke text and markings, sequential numbering

Available with/without rectangular print area.

Laser-printed.